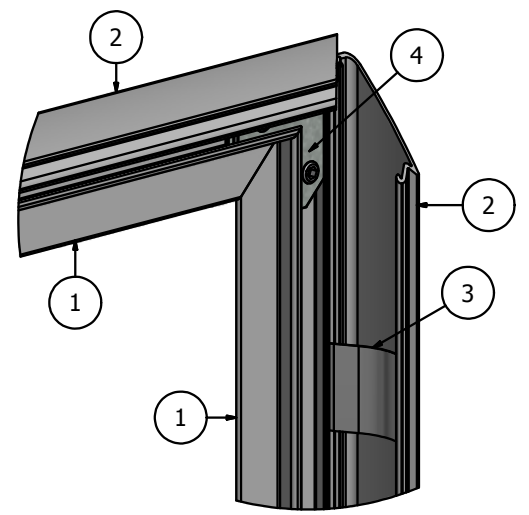
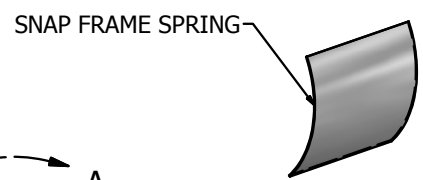
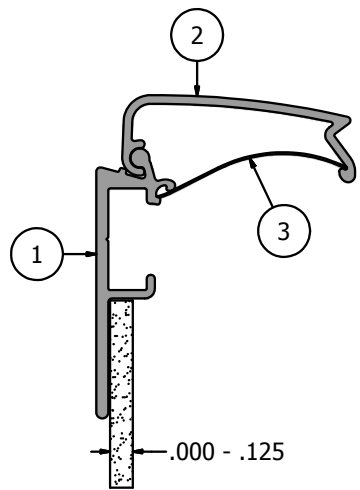


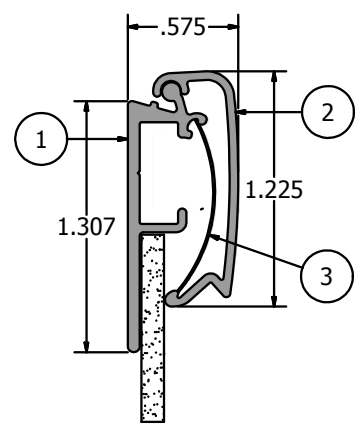
PARTS LIST			
ITEM	PART#	DESCRIPTION	NOTES
1	1899	Snap Frame	
2	1895	Snap Frame Flat Cover	
3	5893	Snap Frame Flat Cover Spring	
4	5890	2Piece Corner Key	3 Pieces - Front, Set Screws & Back



DETAIL A

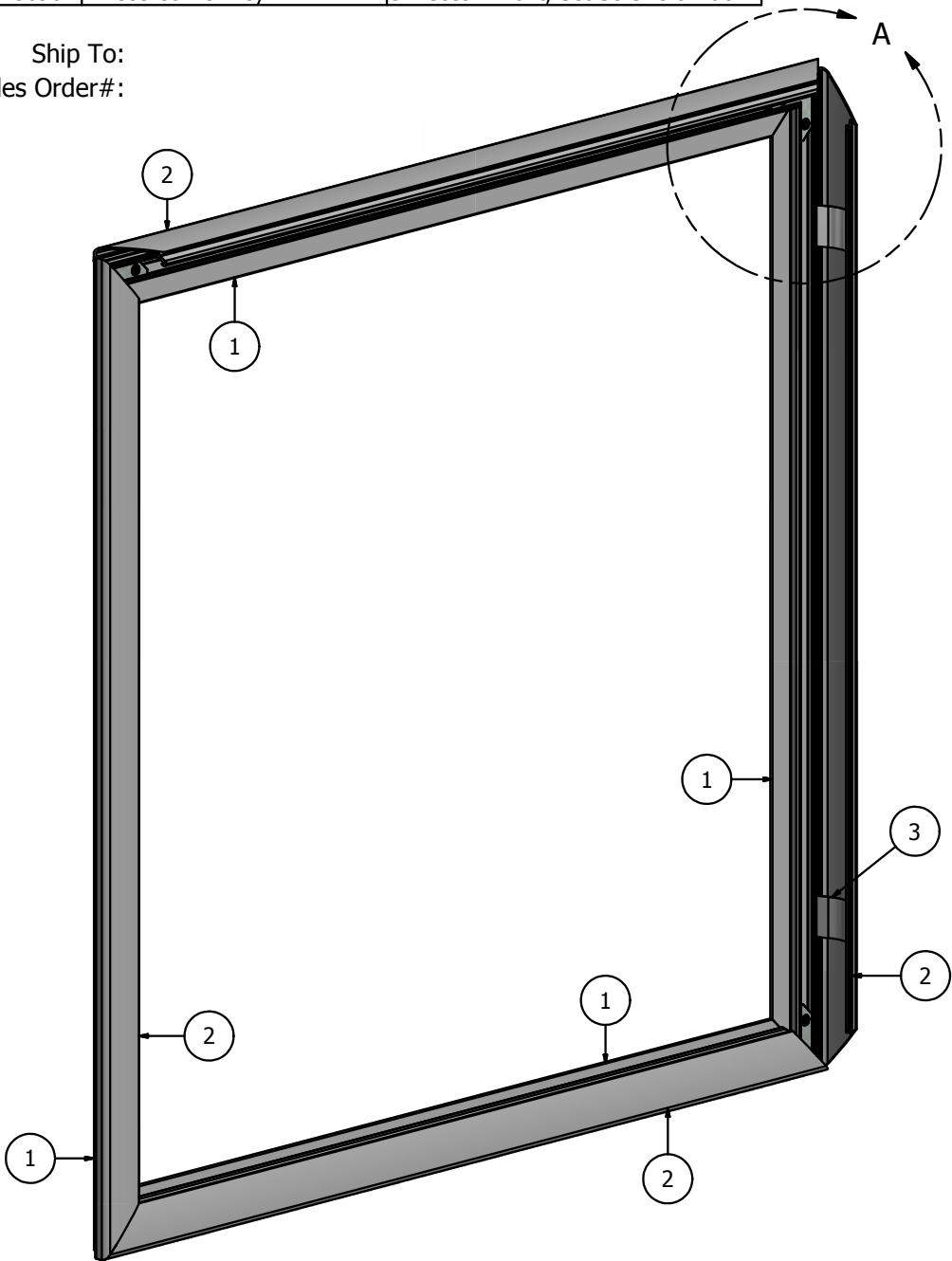


CROSS-SECTION OPEN



CROSS-SECTION CLOSED

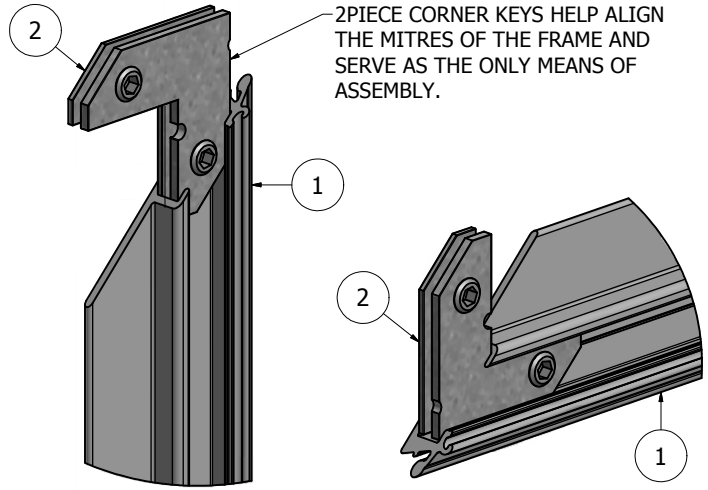
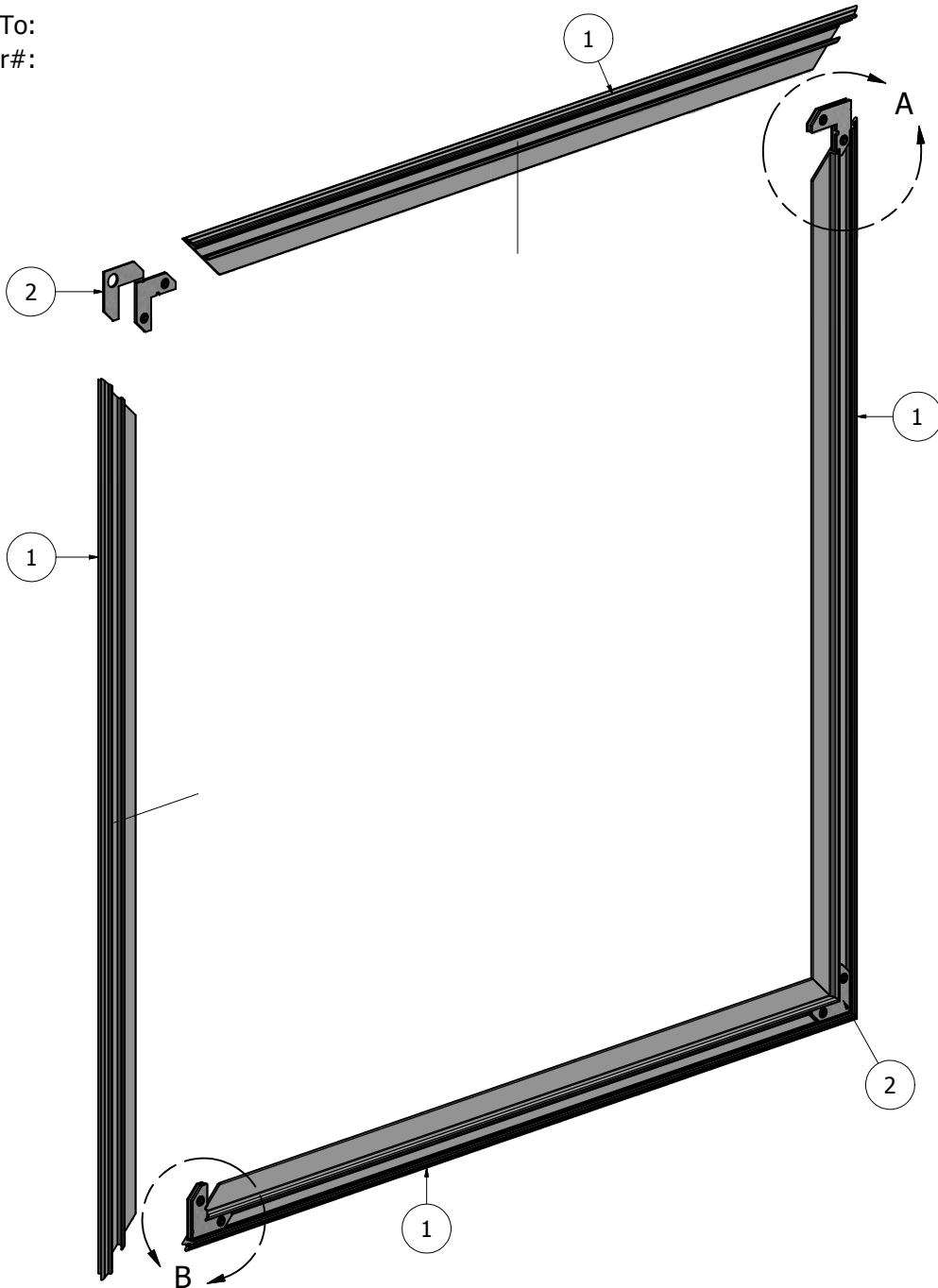
Ship To:
Sales Order#:



<p>THIS DRAWING WAS CREATED AT NO CHARGE TO ASSIST YOU IN VISUALIZING OUR PROPOSAL. THE DRAWING HEREIN IS THE PROPERTY OF SIGNCOMP. PERMISSION TO COPY OR REVISE THIS DRAWING OR TO USE THIS DRAWING FOR PRODUCTION IS STRICTLY PROHIBITED AND CAN ONLY BE COPIED, REVISED OR USED FOR PRODUCTION WITH THE EXPRESSED WRITTEN PERMISSION OF SIGNCOMP.</p>			
DRAWN	SBreihof 8/30/2012		
Centroid X:	0.000 in		
Centroid Y:	0.000 in	<p>Snap Frame with Flat Snap Frame Cover - Assembly</p>	
Principal Moments Ix:	0.000 in ⁴		
Principal Moments Iy:	0.000 in ⁴	DWG NO	
Section Modulus Ix:	0.000 in ³	K1899/1895	REV
Section Modulus Iy:	0.000 in ³	SHEET 1 OF 1	

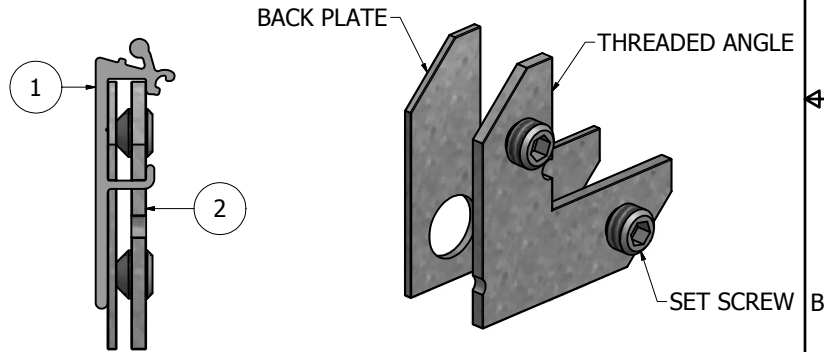
PARTS LIST			
ITEM	PART#	DESCRIPTION	NOTES
1	1899	Snap Frame	
2	5890	2Piece Corner Key	Threaded Angle, Back Plate & Set Screws

Ship To:
Sales Order#:



DETAIL A

DETAIL B



CROSS-SECTION VIEW

ALIGN THE BACK PLATE AND ANGLE THEN SLIDE INTO THE CHANNEL OF THE FRAME. THE APPLIED PRESSURE BY TIGHTENING THE SET SCREWS, SEPARATES THE ANGLES SECURING THEM IN THE FRAME CHANNEL.

THIS DRAWING WAS CREATED AT NO CHARGE TO ASSIST YOU IN VISUALIZING OUR PROPOSAL. THE DRAWING HEREIN IS THE PROPERTY OF SIGNCOMP. PERMISSION TO COPY OR REVISE THIS DRAWING OR TO USE THIS DRAWING FOR PRODUCTION IS STRICTLY PROHIBITED AND CAN ONLY BE COPIED, REVISED OR USED FOR PRODUCTION WITH THE EXPRESSED WRITTEN PERMISSION OF SIGNCOMP.

DRAWN	SBreihof	8/30/2012	SignComp	
Centroid X:	0.000 in			
Centroid Y:	0.000 in		Snap Frame - Assembly	
Principal Moments Ix:	0.000 in ⁴			
Principal Moments Iy:	0.000 in ⁴		DWG NO	REV
Section Modulus Ix:	0.000 in ³		K1899	
Section Modulus Iy:	0.000 in ³		SHEET 1 OF 1	